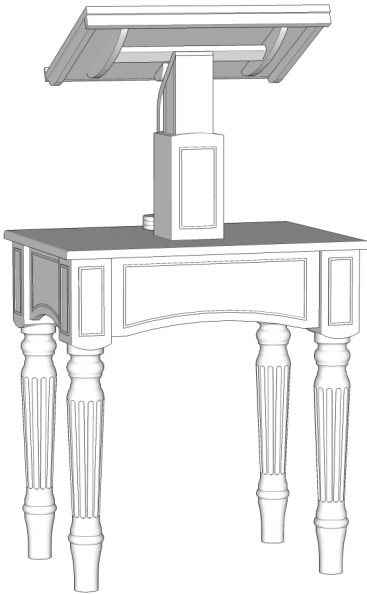


Assembly Instructions—

Tuscan Speaker Stand Model 401

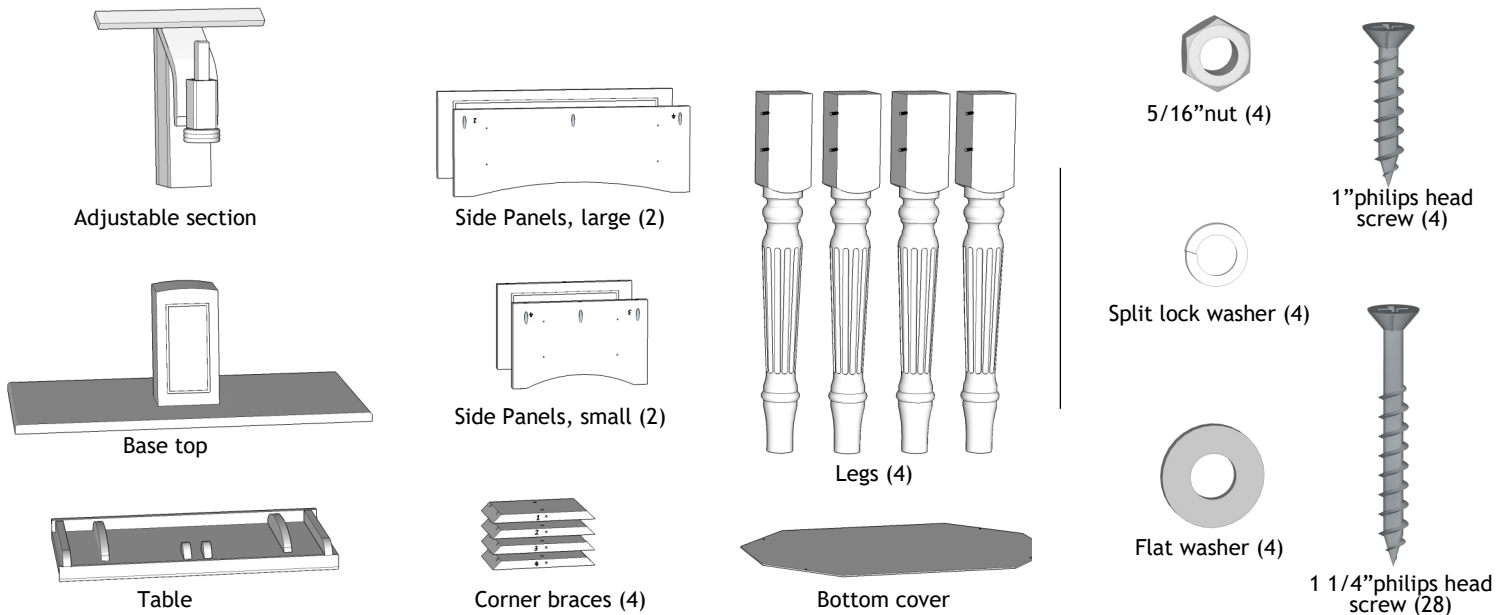


Thank you for your speaker stand purchase. You can find links to animated assembly instructions at www.speakerstand.net

If you have any difficulties assembling your stand you may contact us via telephone at **(716) 294-0180** or email us at: speakerstand.net

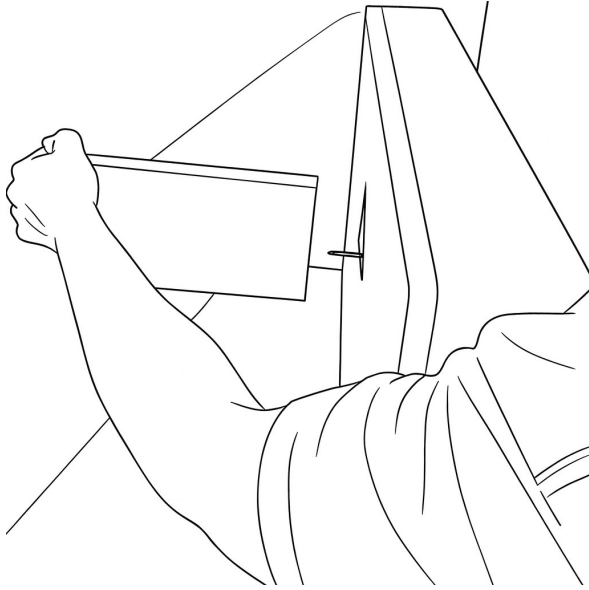
Replacement parts are also available.

Parts list:



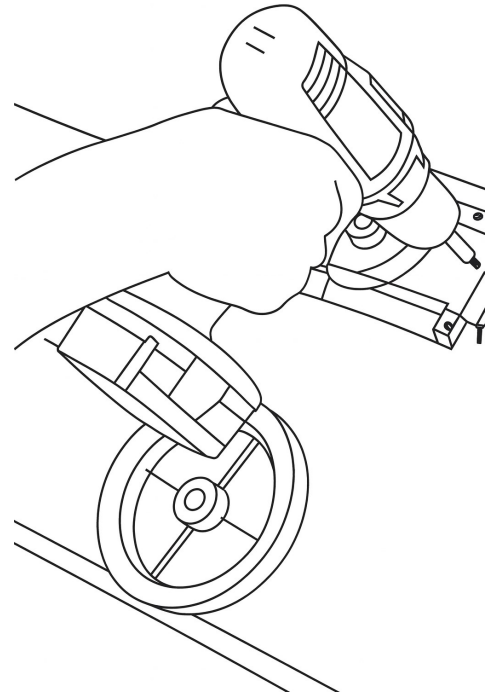
Tools required:

Preferably a cordless drill, a crescent or a sock wrench.

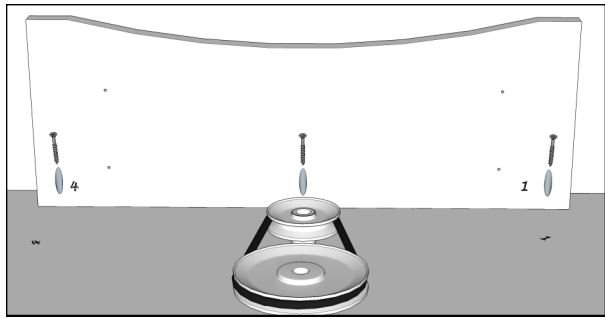


Step 1: Attach height adjustment block to main base. Use the four 2" screws. Please be sure to use existing bores. You may need two people for this procedure.

Step 2: Install raising mechanism with two 1 1/4" screws.
IMPORTANT: Match marks and use existing bores to attach this mechanism. Failure to do so will result in a misalignment and operation of the lectern will suffer. Connect belt to the two pulleys.

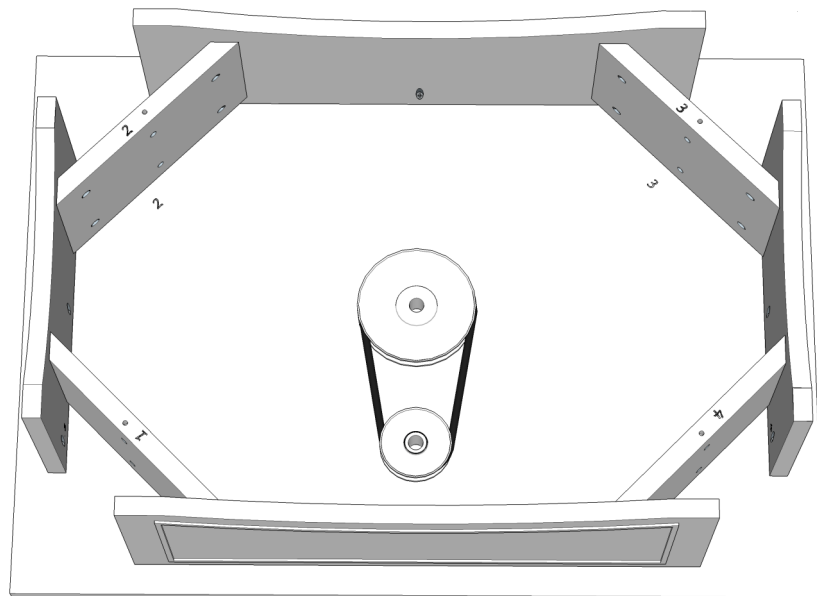
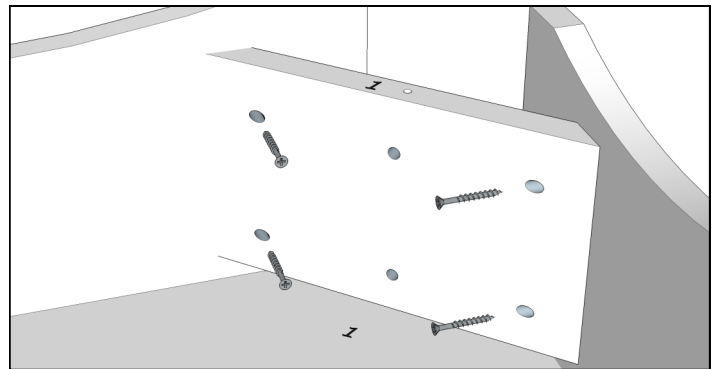


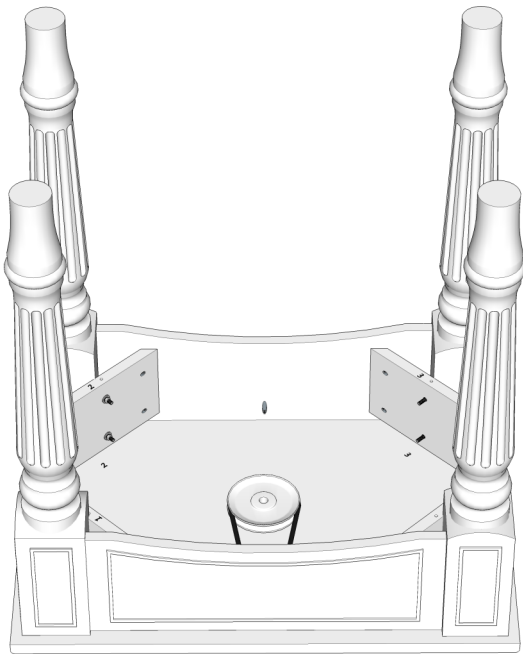
Step 3: Place the base top upside down on a surface that will not scratch the wood. Using two chairs is recommended.



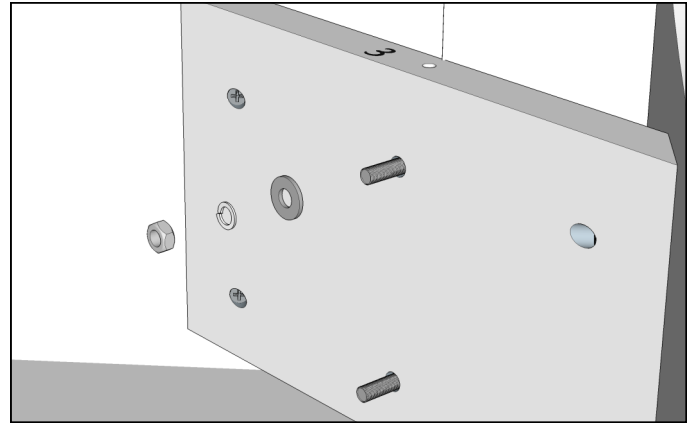
Step 4: Install the large and small side panels using three 1 1/4" screws. Front panel is the one with the beading.

Step 5: Install the corner braces using four 1 1/4" screws in each. Match number on brace to the corresponding number on base.

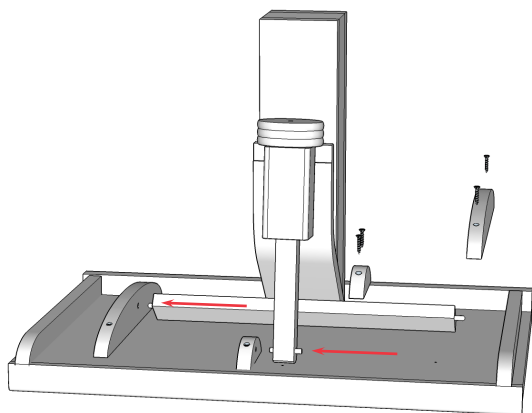
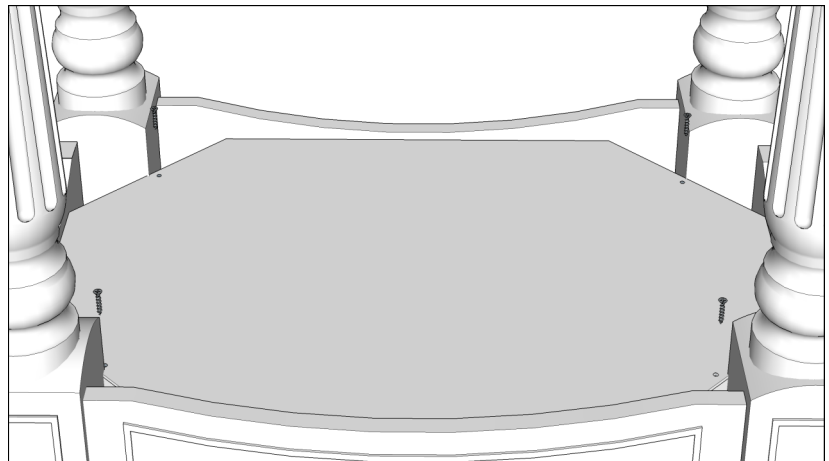




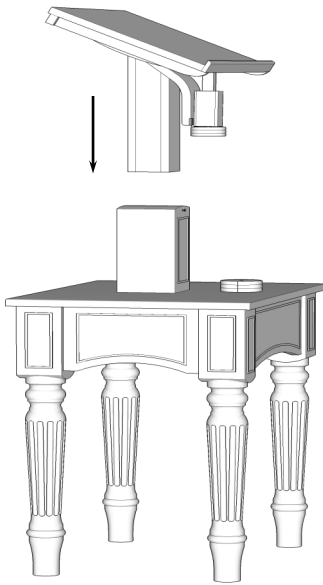
Step 6: Install the front legs with beading facing forward and to the side. Insert the threads into the corner brace and fasten using a flat washer, split lock washer, and nut in that order.



Step 7: Install the bottom cover using four 1" screws.



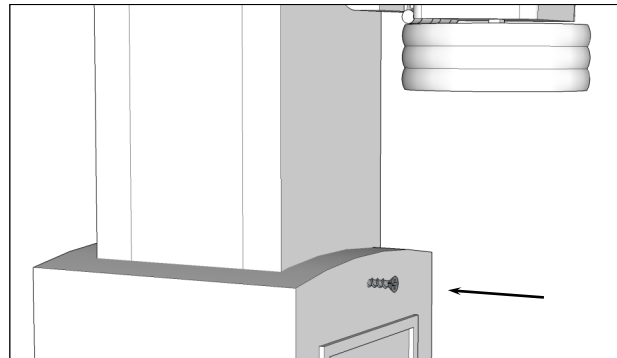
Step 8: Attach the table to the adjustable section. Remove the screws from the small and large half moon shaped pieces on one side. Slide the pins on the adjustable section into the mounting holes. Reinstall the small and large half moon shape pieces.



Step 9: Install the adjustable section onto the base. Turn the adjustment knob clockwise to lower it about 1 inch.

Tip: the threads on the adjustment mechanism may need lubricated with 1 or 2 drops of all purpose lubricant on occasion to ensure smooth operation.

Step 10: Tighten the safety stop screw. This will prevent the adjustable section from extending too far.



Troubleshooting:

1. After putting everything together, it's difficult to raise the adjuster column with the knob.

It may be that the raising mechanism is misaligned. Remove pulley with long screw from adjuster column. Reinsert long screw into metal plate. Reattach to base with two screws, but don't use the same bored holes as before. Reattach belt. Check for obstructions in the outer column. Sometimes a piece of felt may have become loose and is hindering movement.

2. We have the electric version. The motor has problems raising the adjuster column.

The problem may be the same as troubleshooting point #1. Also, check the plastic pulley to make the set screws (there are two) are tight against the pole on the motor. The belt may be slipping and needs to be sprayed with belt conditioner.

3. Our furniture arrived with damage to the finish. There's a crack in the wood.

Great care was taken in packing your furniture, but occasionally it arrives damaged. Please take pictures of the damage and email them to sales@speakerstand.net. Some minor scratches can be covered up with a colored marker.

Maintenance:

Long screw should be lubricated from time to time to keep raising mechanism running smooth.

We recommend cleaning your furniture with a product such as Orange-Glo, or a lemon oil, or Murphy's Oil Soap. Furniture polishes such as Pledge can dull the finish over time.

Please refrain from leaning on lectern. This can damage the tilt mechanism over time.